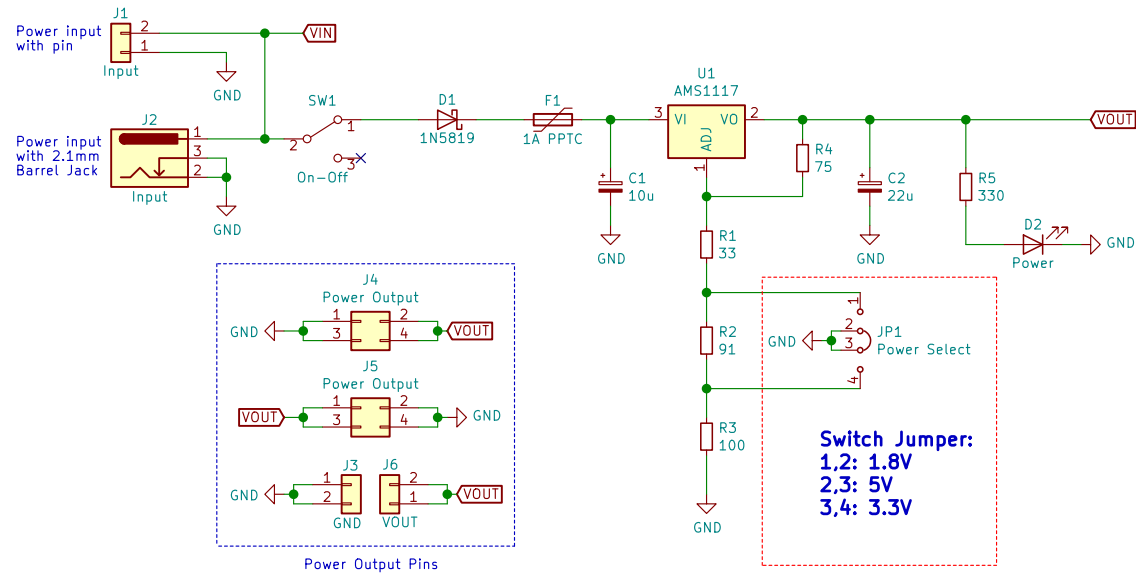


Breadboard 1.8V, 3.3V and 5V Selectable Power Supply

Input Voltage = (Output Voltage + 1.25V) to 18V



Released under the Creative Commons Attribution-ShareAlike 4.0 International
<https://creativecommons.org/licenses/by-sa/4.0/>
 Designer: Bahtiyar Bayram

Scordion Electronics

Sheet: /
 File: breadboard-power-supply.sch

Title: Breadboard 1.8V-3.3V-5V Power Supply

Size: A4 Date: 2018-12-14

KiCad E.D.A. kicad 5.0.1+dfsg1-3bpo9+1

Rev: v1.0

Id: 1/1